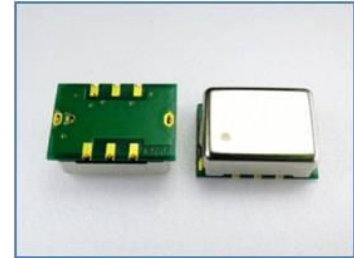


# LVDS VCXO

# VXSG-Y9S7 Series

## ◆特長・用途/Feature

- SMD Package
- Supply Voltage      **+3.3V**
- Output Level        **LVDS**
- Frequency range    **10MHz ~ 150MHz**

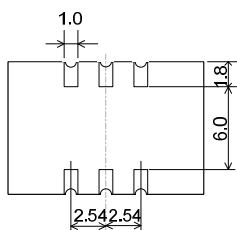
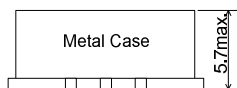
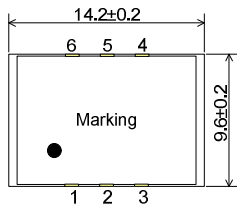


## ◆仕様/Specifications

RoHS Compliant

項目 / item	Min	Max	単位 / unit	Note
出力周波数 Frequency range	10	150	MHz	--
動作温度範囲 Operating Temp. range	-40	+85	°C	--
電源電圧 Power Supply voltage	+3.3		V	--
消費電流 Current	--	30	mA	--
周波数安定度 Freq. Overall tolerance	±60		10 <sup>-6</sup>	Inclusive of initial tolerance , operating temperature , supply voltage change. and aging 15 years.
周波数可変範囲 Freq. control range	±60	±100	10 <sup>-6</sup>	Control Voltage (VC) : +0V~+3.3V Input impedance : 100kΩ min.
出力レベル Output level	LVDS LEVEL 0.247 ≤  Vod  ≤ 0.454 0.494 ≤ Vod p-p ≤ 0.908		V	test circuit 1
	1.125 ≤ Voc ≤ 1.375		V	test circuit 2
Rise time , Fall time	--	1	ns	20% ⇔ 80%(test circuit 1)
Duty Cycle	40	60	%	test circuit 1

## ◆外形寸法/Dimensions unit : mm



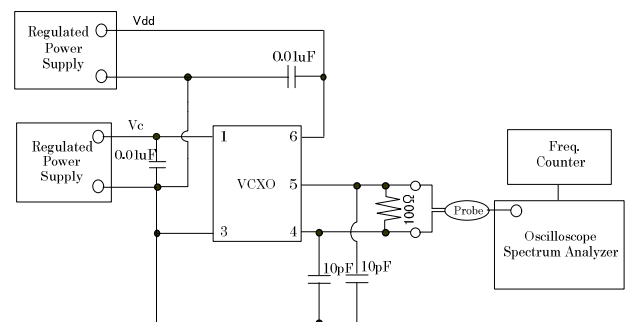
### Terminal Connections

Terminal	Connection
1	Vc or NC
2	NC
3	GND
4	Output
5	Output
6	VDD

Pin#1 is NC for SPXO/TCXO

## ◆測定回路/Test circuit

### test circuit 1



### test circuit 2

